



Combined Vacuum Fiber Optic Feedthrough

Hermetic Fiber Optic Feedthrough with Pigtail and Adapter Interface

Pigtails variants of vacuum hybrid feedthroughs are available with many different optical fibers and connectors. Standard adapter interface is available with FC/PC, FC/APC or SMA 905 connectors. Hybrid feedthroughs are available with pigtailed terminations on the natural air pressure side or on vacuum side. Used materials as well as the sealing process of the fiber within the feedthroughs enable the usage of hybrid feedthroughs in high and ultra-high vacuums.

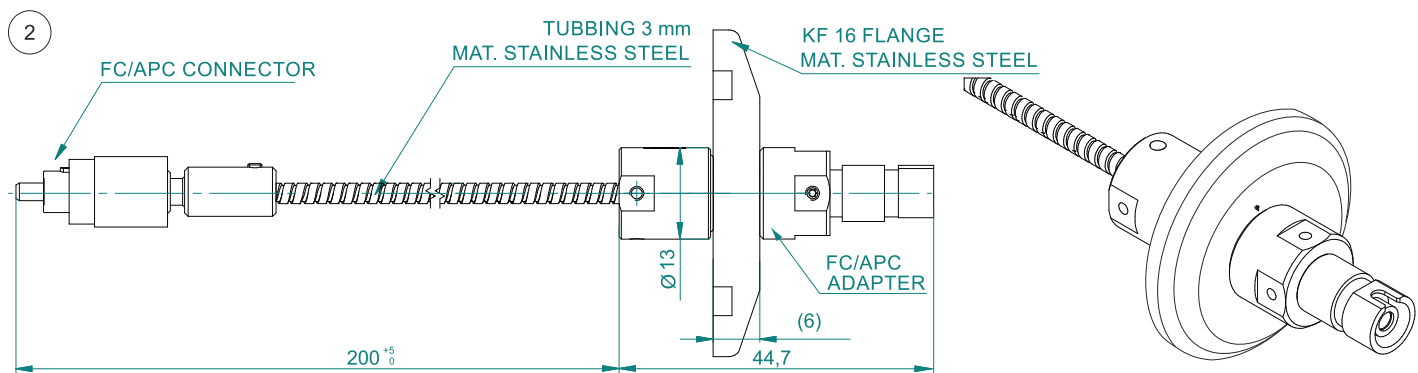
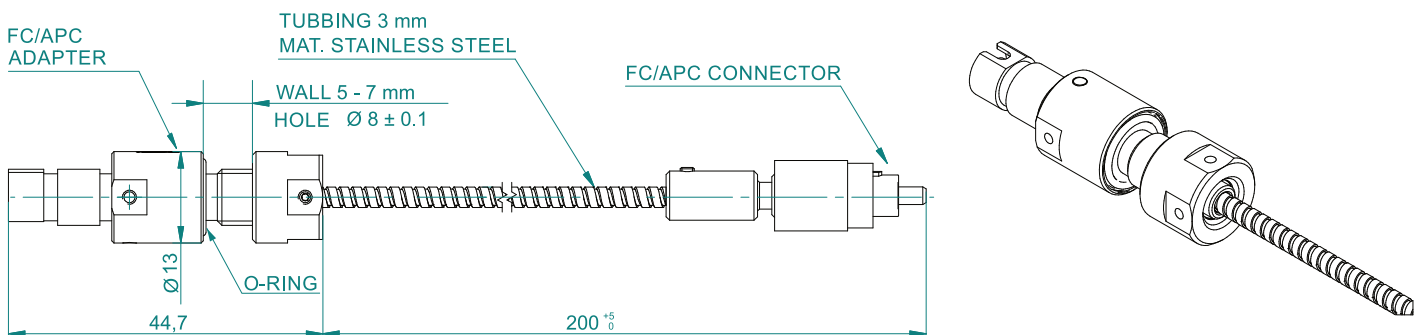
Feedthrough can be disassembled and easily mounted into a flange; mating sleeves inside the feedthrough on an adapter side can be easily replaced.



High Vacuum (HV) & Ultra High Vacuum (UHV) Feedthroughs

Sealed fibers	SM & MM (GRIN/STEP)	PM
Wavelength range	UV, VIS, NIR	VIS, NIR
Extinction ratio	/	>20 or 25dB
Angle misalignment	/	$\pm 2.5^\circ$
Operating temperature	-40 + 85°C	-20 + 70°C
Hermeticity	10 ⁻¹⁰ to 10 ⁻¹² mbar.l/s	
Flange type	CF, KF, without flange or CUSTOMIZED	
Flange material	304, 304L, 316L, others	
Housing material	304L, 316L	
Pigtail interface	FC/PC, FC/APC, SMA 905, LC/PC, LC/APC, ...	
Adapter interface	FC/PC, FC/APC, SMA 905	
Fiber sleeving (lose tubing)	PTFE (OD=900µm), Stainless steel flexible tubing (O=3mm)	

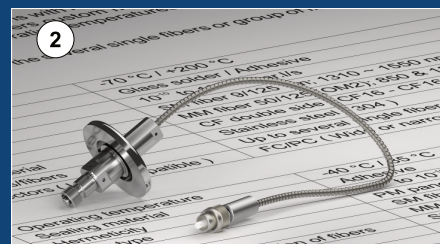
1 INSPIRED BY CUSTOMERS 3D DRAWING



VF - 1FC01 - FC/APC



VF - 1FC01 - FC/APC - KF16



VF - 1FC01 - FC/APC - KF16

